

IRON BALTIC

SNOW PLOW MOUNTING KIT

CAN AM Outlander G2

Code 03.5300

Version 06112023



Keep this manual for future reference!

If you need any spare parts, please send this packaging data to your local dealer or to Iron Baltic
sales@ironbaltic.com

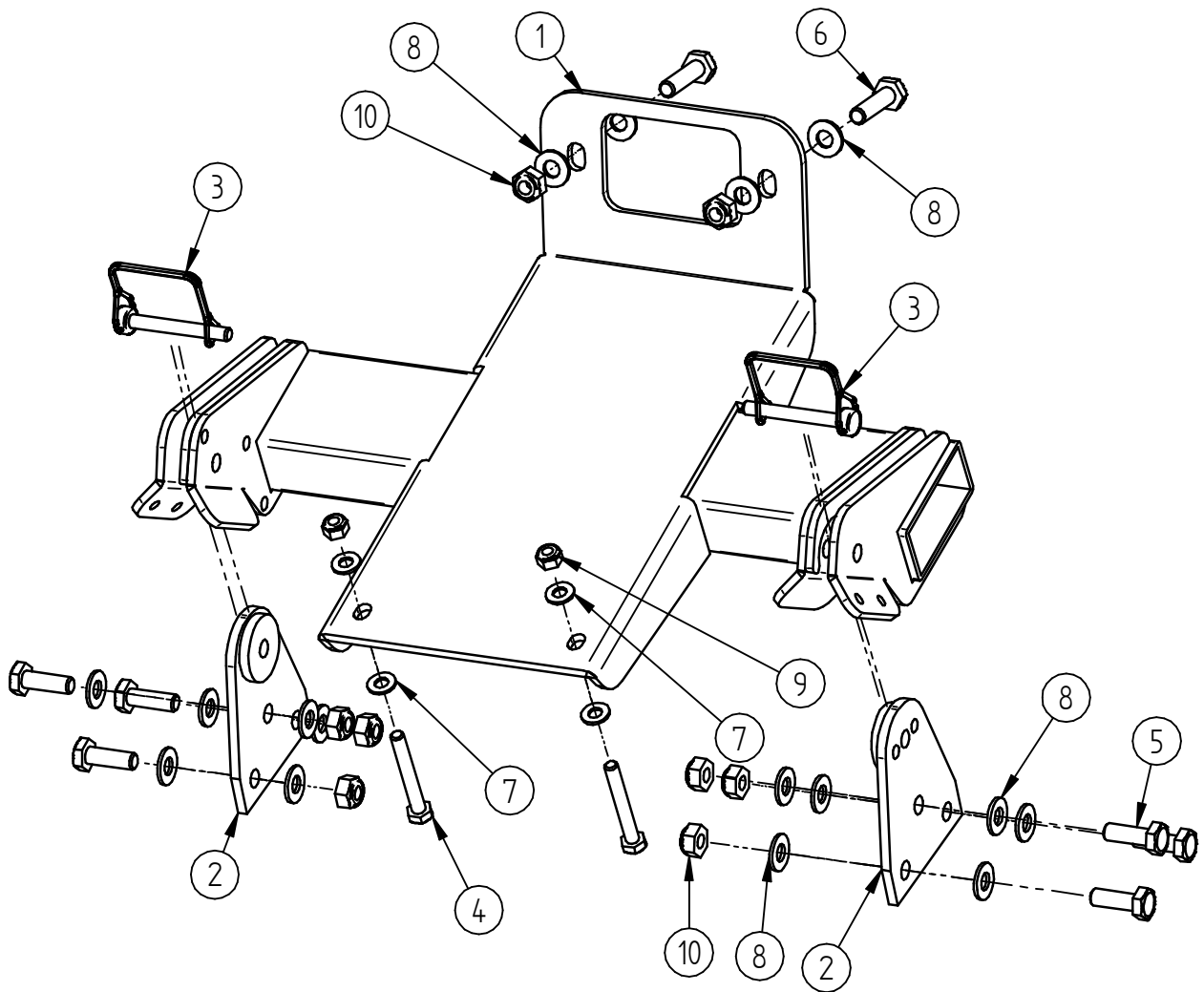
DOWNLOAD MULTILINGUAL
USER MANUAL



code.ironbaltic.com/u/vKKy0bhy

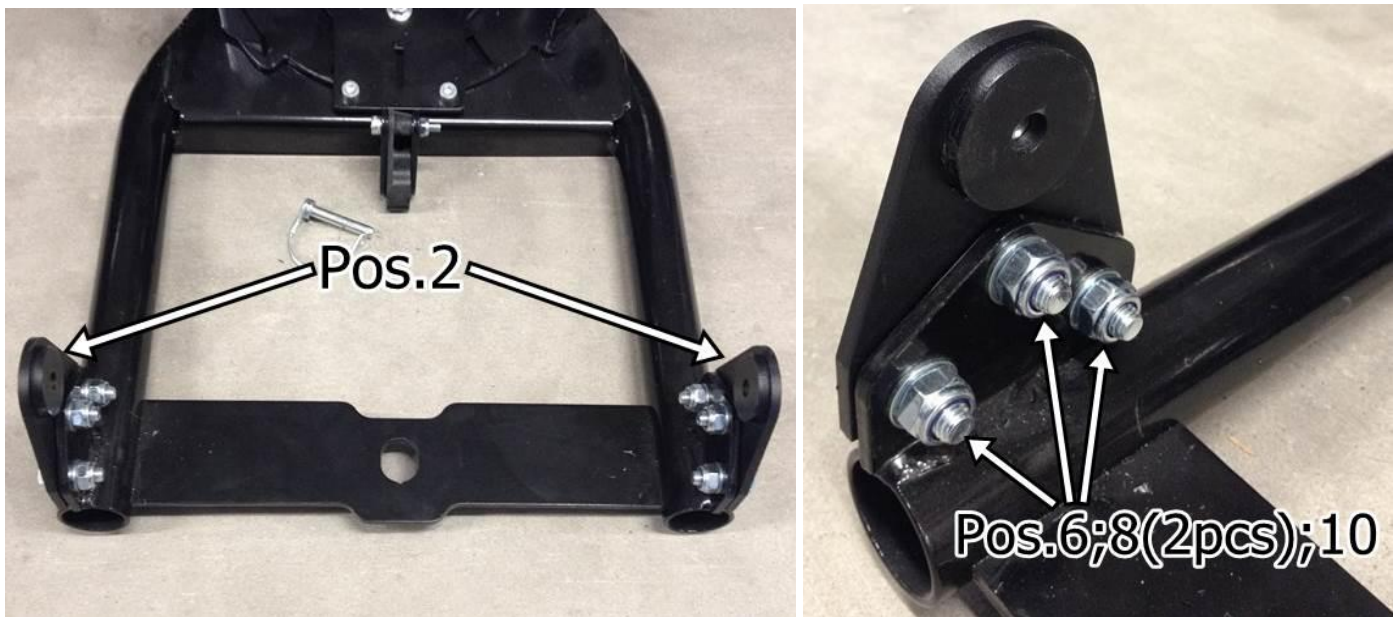
SPECIFICATION

Pos.	Description	Code	Amount																
1	Adapter	03.5301K	1																
2	Mounting plate	03.5308K	2																
3	Lynch pin Ø 9,5		2																
4	Bolt M8x60 DIN933	OT.02.02.250	2																
5	Bolt M10x30 DIN933	OT.02.02.320	6																
6	Bolt M10x40 DIN933	OT.02.02.330	2	7	Washer Ø8/20 SFS3738	OT.04.03.030	4	8	Washer Ø10/20 DIN125	OT.04.01.040	16	9	Nut M8 Nyloc DIN985	OT.03.02.040	2	10	Nut M10 Nyloc DIN985	OT.03.02.050	8
7	Washer Ø8/20 SFS3738	OT.04.03.030	4																
8	Washer Ø10/20 DIN125	OT.04.01.040	16																
9	Nut M8 Nyloc DIN985	OT.03.02.040	2																
10	Nut M10 Nyloc DIN985	OT.03.02.050	8																

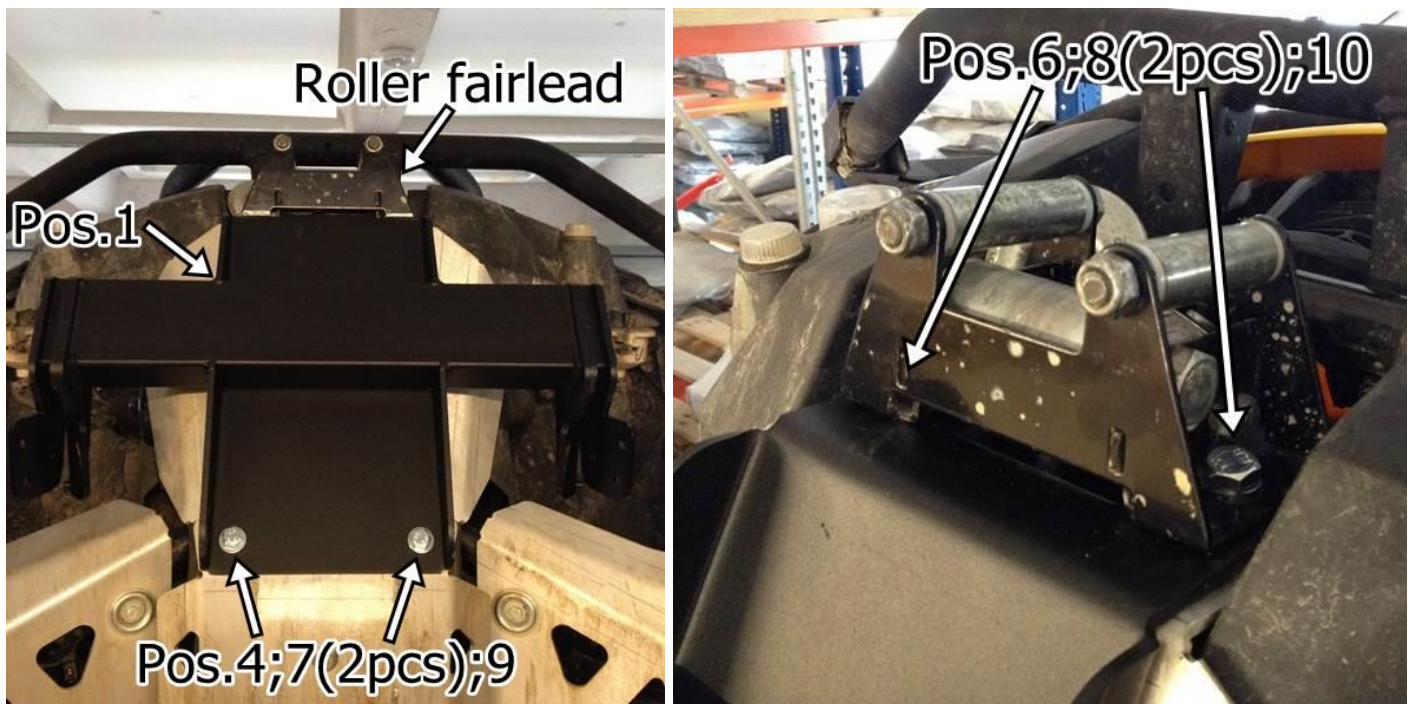


FITTING INSTRUCTIONS

Step 1 Install mounting plates to the plow frame.



Step 2 Install snow plow adapter to the ATV.
Adapter is placed between ATV and roller fairlead.



IRON BALTIC

IRON BALTIC OÜ
Põldmäe tee 1
Vatsla 76915
Estonia / Europe

+372 6 533 711
sales@ironbaltic.com

www.ironbaltic.com
www.facebook.com/ironbaltic
www.youtube.com/user/ironbalticLtd

